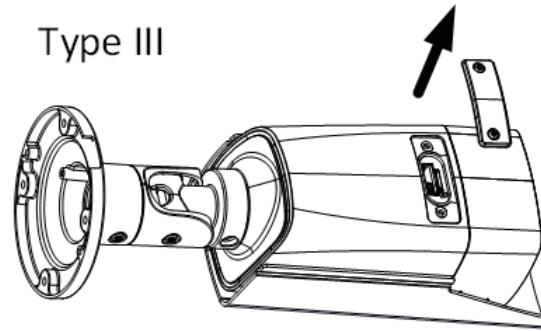
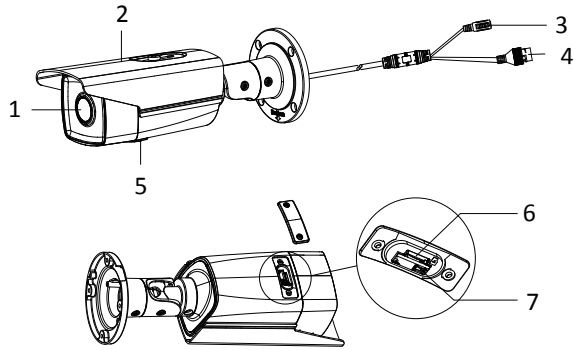


## Bullet Type III Network Camera

# Quick Installation Guide

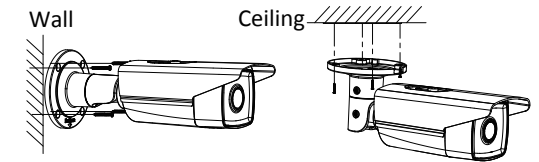


2. Insert the memory card.
3. Screw the cover back to the camera when installation is finished.

5. Fix the camera to the wall/ceiling with the supplied screws.

**Note:**

Please insert the expansion screws first if the camera is mounted to the cement wall/ceiling. And you can use the self-tapping screws directly if camera is mounted to the wooden wall/ceiling.



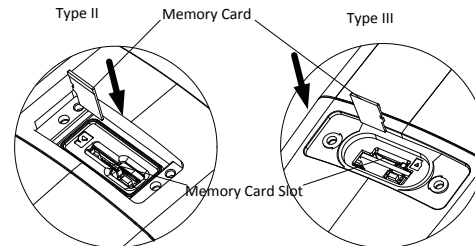
No.	Description
1	Lens
2	Sun Shield
3	Power Interface
4	Network Interface (PoE)
5	Memory Card Slot Cover
6	Memory Card Slot
7	Reset Button

**Note:**

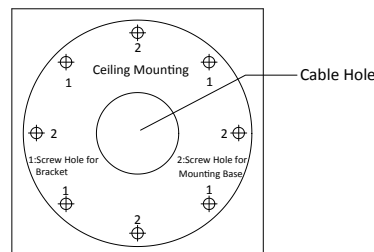
Press RESET about 10 s when the camera is powering on or rebooting to restore the default settings, including the user name, password, IP address, and port No., etc.

**Installation Steps:**

1. Unscrew the cover to expose the memory card slot.

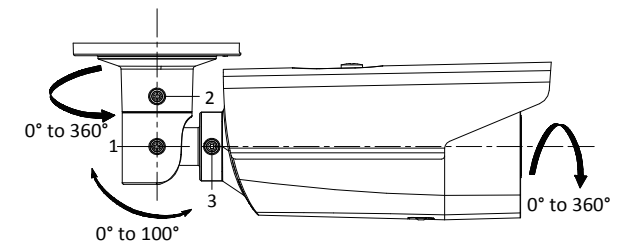


4. Drill 4 screw holes (hole 1 on drill template) and the cable hole in the ceiling/wall.



6. Adjust the view angle.

- 1). Loosen No.1 lock screw to adjust the tilt angle.
- 2). Loosen No.2 lock screw to adjust the pan angle.
- 3). Loosen No.3 lock screw to rotate the camera.
- 4). Tighten the lock screws.



For detailed instructions of further configuration, please refer to the user manual of network camera.